

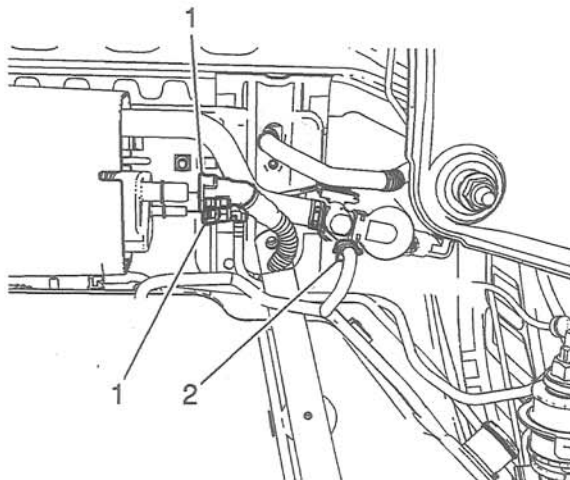
Fuel Module Replacement



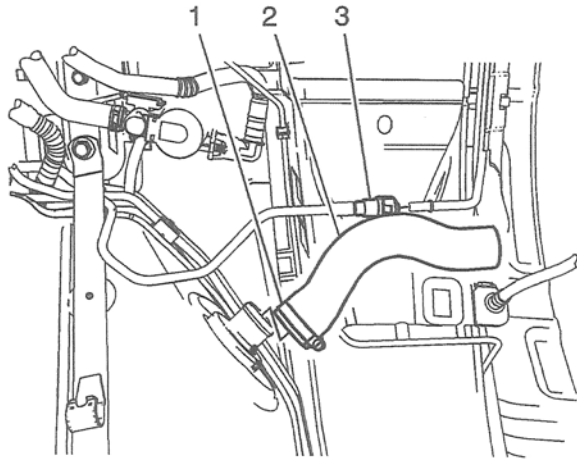
Removal Procedure -Tank

Danger: To avoid any vehicle damage, serious personal injury or death when major components are removed from the vehicle and the vehicle is supported by a hoist, support the vehicle with jack stands at the opposite end from which the components are being removed and strap the vehicle to the hoist.

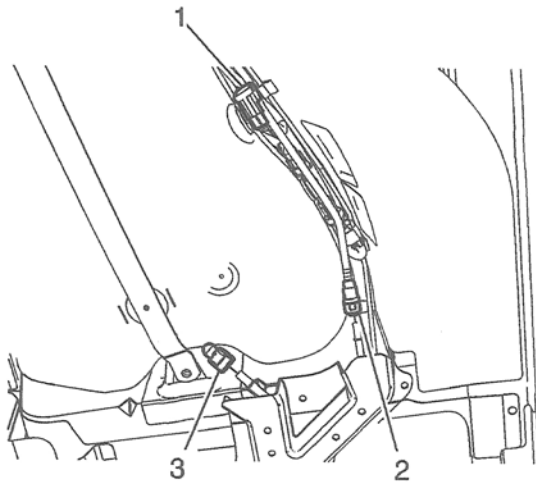
1. Relieve the system fuel pressure. Refer to Fuel Pressure Relief.
2. Drain the fuel tank. Refer to Fuel Tank Draining.
 - Support the rear suspension with a jack stand.
 - Remove the front support bolts.
 - Loosen the rear support bolts in order to slide the fuel tank out.
 - For tightening specifications, refer to Rear Suspension Support Replacement.



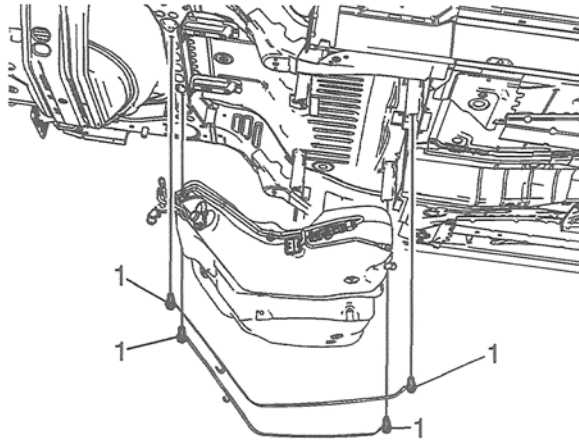
3. Disconnect the evaporative emission lines (1). Refer to Plastic Collar Quick Connect Fitting Service.
4. Disconnect the vent solenoid electrical connector (2).



5. Loosen the hose clamp (1) and remove the filler tube (2).
6. Disconnect the evaporative emission line (3). Refer to Plastic Collar Quick Connect Fitting Service.



7. Disconnect the fuel tank electrical connector (1).
8. Disconnect the fuel feed line (3) and evaporative emission line (2). Refer to Plastic Collar Quick Connect Fitting Service and Metal Collar Quick Connect Fitting Service.



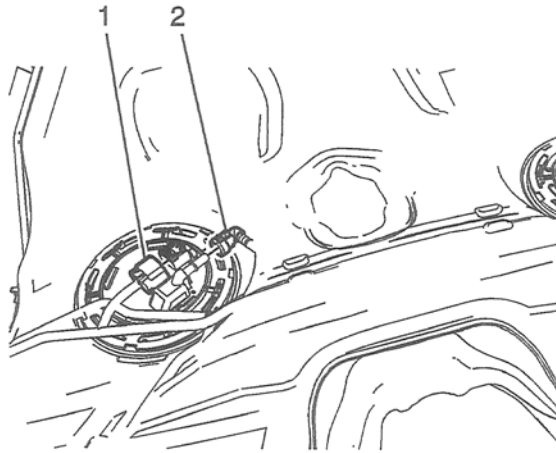
9. Support the fuel tank with a suitable jack.
10. Remove the fuel tank strap bolts (1).
11. Remove the fuel tank.
12. Remove the following components if replacing just the fuel tank.
 - 12.1. Fuel pump module. Refer to Fuel Tank Fuel Pump Module Replacement - Right Side.
 - 12.2. Fuel level sensor. Refer to Fuel Level Sensor Replacement - Left Side.
 - 12.3. Transfer components as necessary.

Fuel Tank Fuel Pump Module Replacement - Right Side

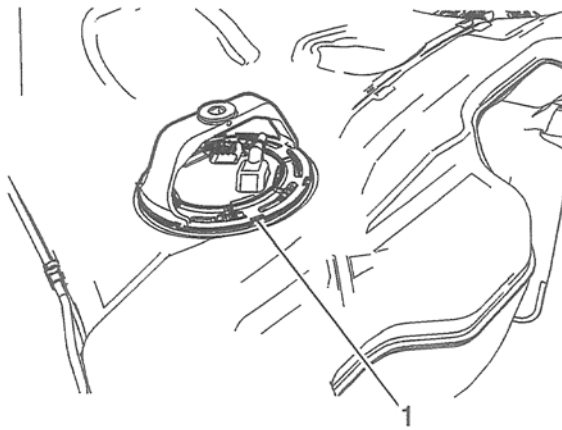
Special Tools

J 45722 Fuel Sender Lock Ring Wrench

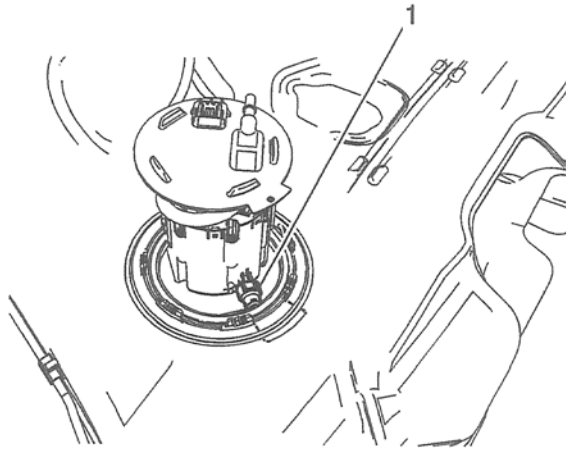
Removal Procedure of stock Camaro Module



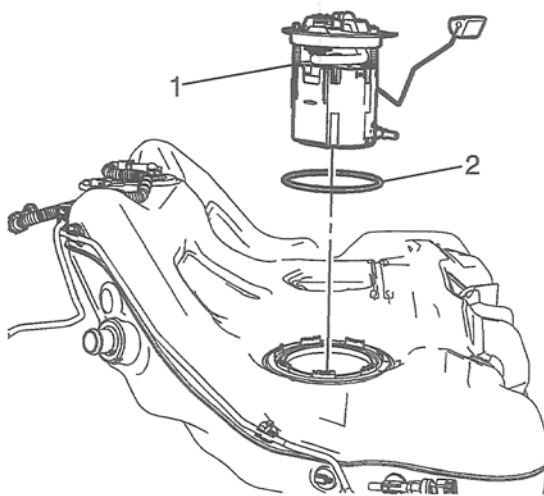
1. Remove the fuel tank. Refer to Fuel Tank Replacement.
2. Disconnect the fuel pump electrical connector (1) and the fuel feed line (2). Refer to Plastic Collar Quick Connect Fitting Service.



3. Use the *J 45722* wrench by turning counter clockwise and remove the lock ring (1).

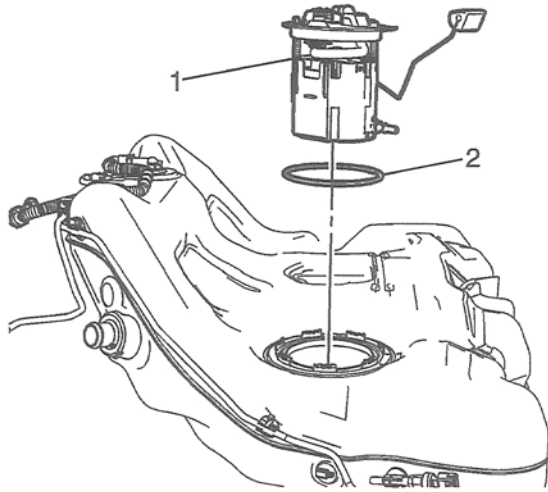


4. Partially remove the primary fuel tank module in order to disconnect the fuel transfer hose quick connect fitting (1). Refer to Plastic Collar Quick Connect Fitting Service.



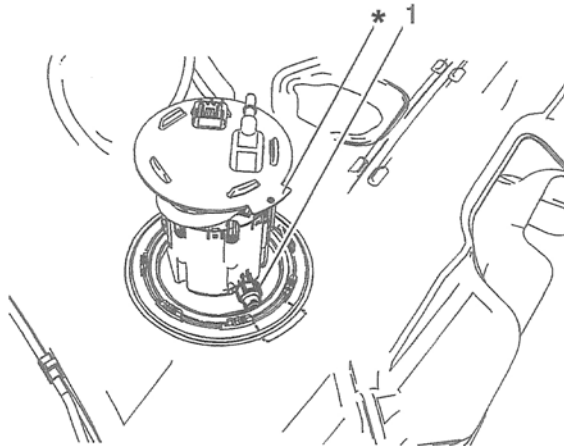
5. Remove the primary fuel tank module (1) and seal (2) from the fuel tank.

Installation Procedure for Deuce Module

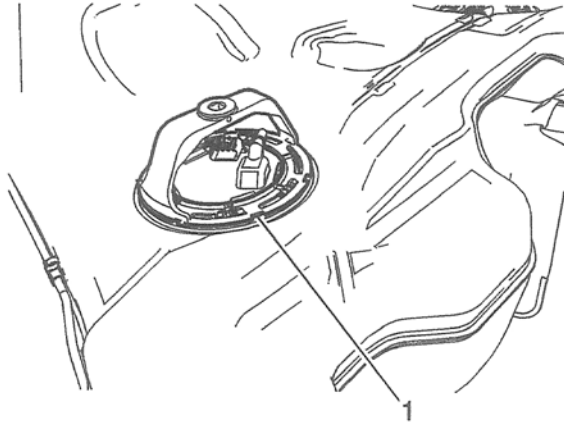


1. Install a NEW seal (2) and partially install the primary fuel tank module (1).
2. Rotate Module **counter clockwise** so that the line is in position and aligns with stock line.

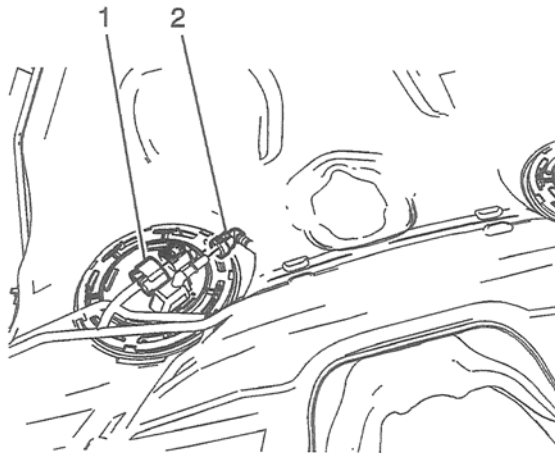
* Tab may need to be trimmed or removed depending on fuel inlet location



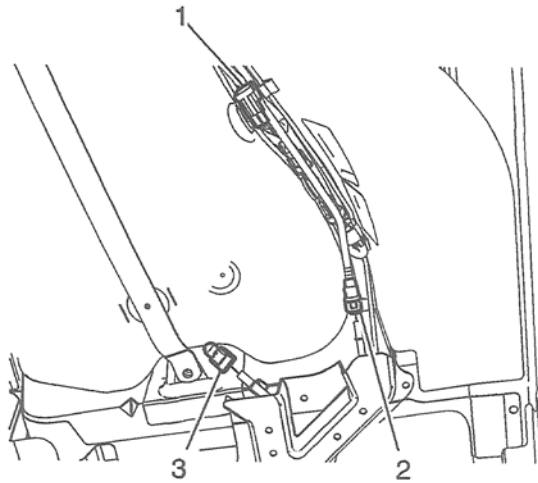
3. Connect the fuel transfer hose quick connect fitting (1). Refer to Plastic Collar Quick Connect Fitting Service.



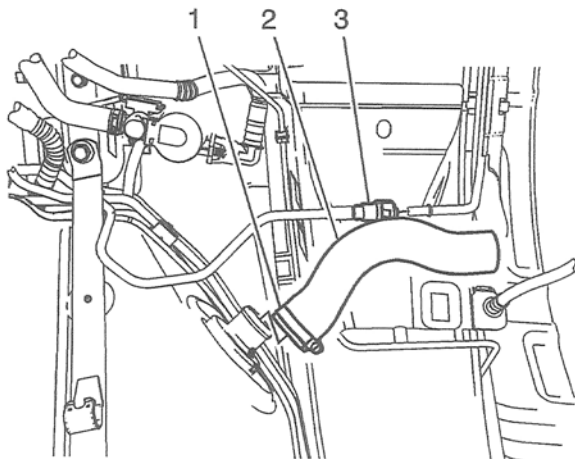
4. Use the J 45722 wrench by turning clockwise and install the lock ring (1).



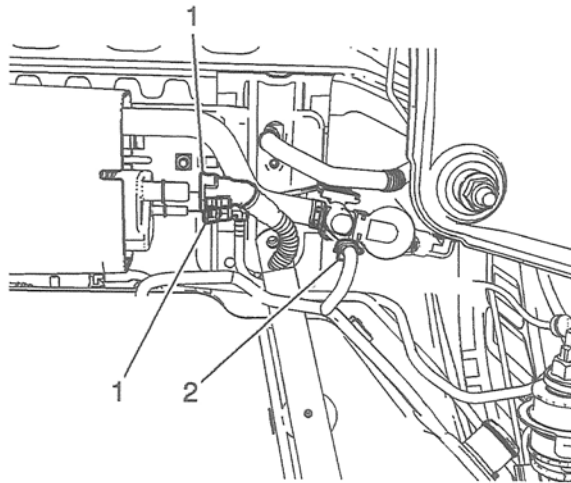
5. Connect the fuel pump electrical connector (1) and the fuel feed line (2). Refer to Plastic Collar Quick Connect Fitting Service.
6. Install the fuel tank. Refer to Fuel Tank Replacement.



4. Connect the fuel tank electrical connector (1).
5. Connect the fuel feed line (2) and evaporative emission line (3). Refer to Plastic Collar Quick Connect Fitting Service and Metal Collar Quick Connect Fitting Service.



6. Install the filler tube (2) and tighten the hose clamp (1) to **4 N·m (35 lb in)** and remove the filler tube (2).
7. Connect the evaporative emission line (3). Refer to Plastic Collar Quick Connect Fitting Service.



8. Connect the evaporative emission lines (1). Refer to Plastic Collar Quick Connect Fitting Service.
9. Connect the vent solenoid electrical connector (2).
10. Connect the parking brake cables at the calipers. Refer to Parking Brake Rear Cable Replacement.
11. Install the rear suspension support and tighten to specifications. Refer to Rear Suspension Support Replacement.
12. Refill the fuel tank.
13. Inspect for fuel leaks.